

Conveyor system FM

F45

FT

FS

FL

FLP

F65

FM

FMP

F85

F85P

FH

FK

FKP

FB140

FB175

FB295

SPIRAL

FW

FLX

FMX

FHX

FBX175

FBX295

ACC

CA

FC

TOOL

IDX

Contents

Chains 3

Conveyor beam 7

End drive units 10

Idler units 19

Horizontal wheel bends 21

Horizontal plain bends 24

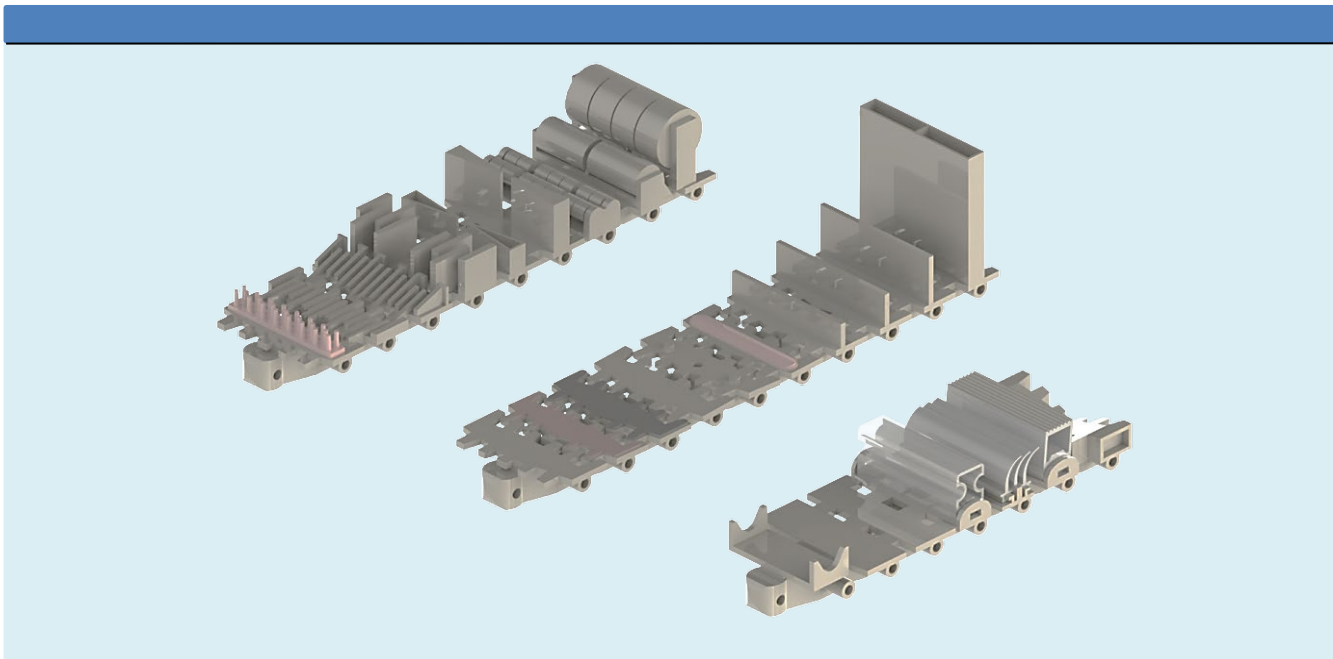
Vertical bends 26

Angle plates 29

Front piece 31

Drip trays and drip catchers 34

Chains



Chains

			F45
<i>Plain chain</i>			FT
FMTF 5	Plain chain Length 5 m		FS
FMTL 83	Plain link		FL
			FLP
			F65
			FM
			FMP
<i>Universal chain</i>			F85
FMTF 5U...	Length 5 m		F85P
FMTL 83U	Universal link		FH
The link has a hole for an M6 screw. M6 nut will fit inside the link.			FK
			FKP
			FB140
			FB175
			FB295
<i>Cleated chain</i>			SPIRAL
	Cleated chain Type A		FW
FMTF 5X15A...	H=15 mm		FLX
FMTF 5X30A...	H=30 mm		FMX
	Cleated link		FHX
FMTL 83X15A	H=15 mm		FBX175
FMTL 83X30A	H=30 mm		FBX295
			ACC
			CA
<i>Friction top chain</i>			FC
FMTF 5F	Friction top chain Length 5 m		TOOL
FMTL 83F	Friction top link		IDX

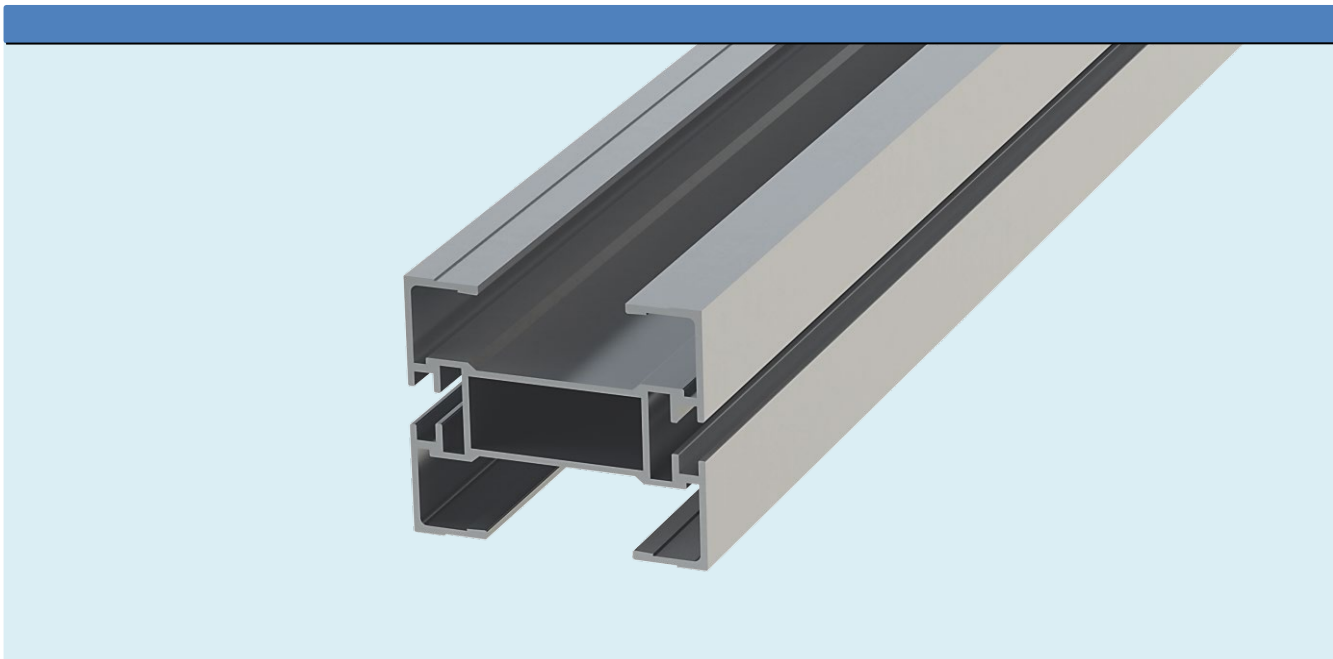
Chains

<i>Steel top chain</i>		
FMTP 5TF	Steel top link Length 5 m	
FMTL 83TF	Steel top link	
<i>Flexible cleat chain</i>		
FMTE 5B	Flexible cleat chain Type B Length 5 m	
FMTL 83B	Flexible cleat link	
FMTE 5C	Flexible cleat chain Type C, Length 5 m	
FMTM 83C	Flexible cleat link assembly. Type C (link base and flexible cleat top)	
FMTX 78C	Flexible cleat top (replacement)	
FMTE 5D	Flexible cleat chain Type D, Length 5 m	
FMTM 83D	Flexible cleat link assembly. Type D (link base and cleat top)	
FMTX 75D	Flexible cleat top (replacement)	

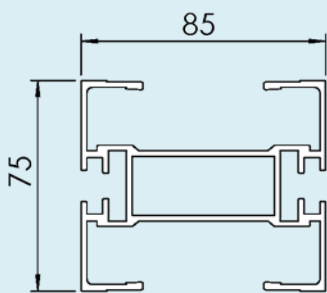
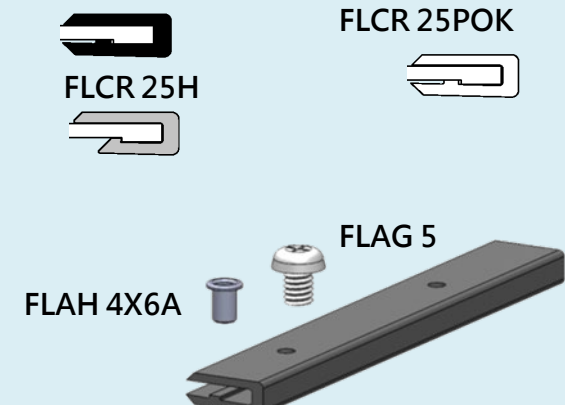
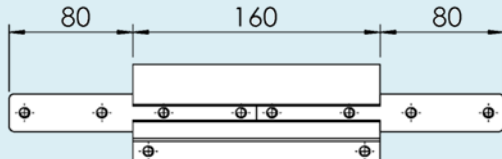
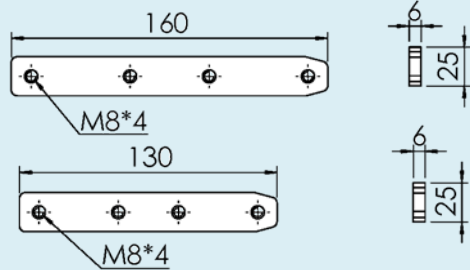
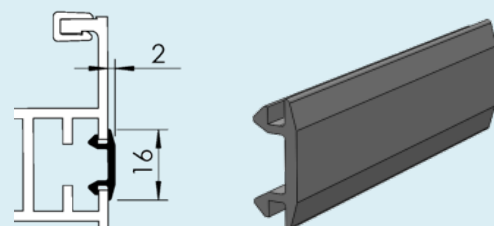
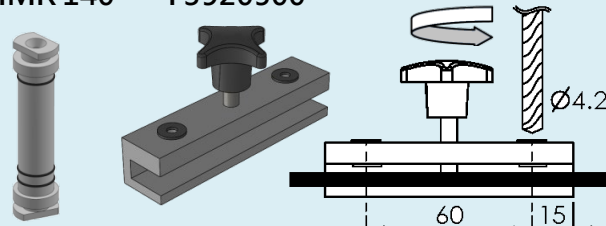
Chains

<i>Roller top chain</i>			F45
FMTR 5	Roller top chain Length 5 m		FT
FMTL 83R	Roller top link This link cannot be combined with plain links		FS
			FL
			FLP
			F65
			FM
			FMP
			F85
FMTF 5X23R...	Chain with roller cleats, Length 5 m		F85P
FMTL 83X23R	Link with roller cleats		FH
			FK
			FKP
			FB140
			FB175
			FB295
			SPIRAL
FMTF 5X46R...	Chain with roller cleats, Length 5 m		FW
FMTL 83X46R	Link with roller cleats		FLX
			FMX
			FHX
			FBX175
			FBX295
Note. This type of chain requires minimum one plain link between every cleated link.			ACC
			CA
<i>Tools and accessories</i>			FC
FMTT 13X16	Plastic pivot		TOOL
FMTD 6X50	Steel pin		IDX
FBMJ 6P	Pin insertion tool		
FMMJ 6	Pin insertion tool		
FDSS 450	Silicone-based lubricant		

Conveyor beam



Conveyor beam

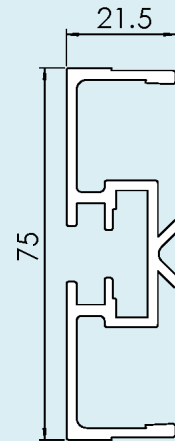
<p>Beam</p> <p>FMCB 3 Length 3 m</p>		<p>F45</p> <p>FT</p> <p>FS</p> <p>FL</p> <p>FLP</p> <p>F65</p>
<p>Slide rail</p> <p>FLCR 25 Length 25 m HDPE Black</p> <p>FLCR 25U UHMW White</p> <p>FLCR 25P PVDF White</p> <p>FLCR 25POK POK</p> <p>FLCR 25H HDPE+PA6 Gray</p> <p>FLCR 25E UHMW conductive Black</p> <p>FLAH 4X6A Aluminium rivet</p> <p>FLAG 5 Plastic screw</p>	<p>FLCR 25/FLCR 25E FLCR 25U/FLCR 25P FLCR 25POK</p> 	<p>FM</p> <p>FMP</p> <p>F85</p> <p>F85P</p> <p>FH</p> <p>FK</p> <p>FKP</p> <p>FB140</p> <p>FB175</p>
<p>FMCC 160 Beam section for chain installation ,including connection strips and screws</p>		<p>FB295</p> <p>SPIRAL</p> <p>FW</p>
<p>Connecting strip with set screws</p> <p>FLCJ 6X160 Length 160 mm</p> <p>FLCJ 6X130 Length 130 mm</p>		<p>FLX</p> <p>FMX</p> <p>FHX</p> <p>FBX175</p> <p>FBX295</p>
<p>T-slot cover</p> <p>FLAB 50 Length 50 m</p>		<p>ACC</p> <p>CA</p> <p>FC</p> <p>TOOL</p> <p>IDX</p>
<p>F3920500 Drill fixture for slide rail</p> <p>FMMR 140 Mounting tool</p>	<p>FMMR 140 F3920500</p> 	

Conveyor beam

Half beam

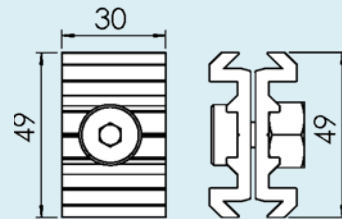
FMCB 3H

Length 3 m

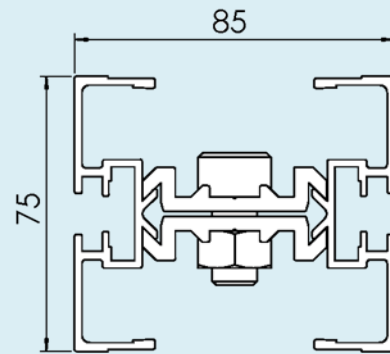


Beam clip

FMCE 49X30



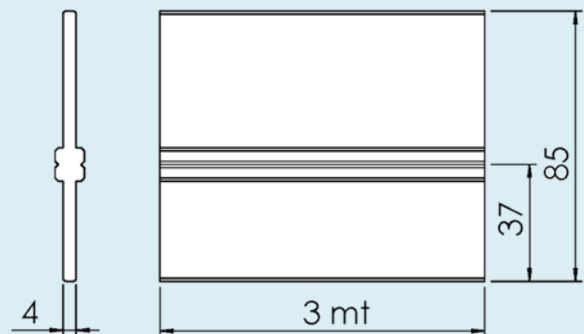
Split Conveyor beam assembled
Length 3m



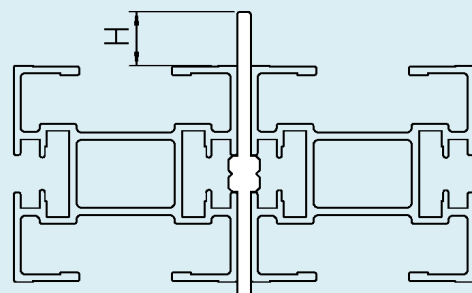
Beam spacer

FLCD 3

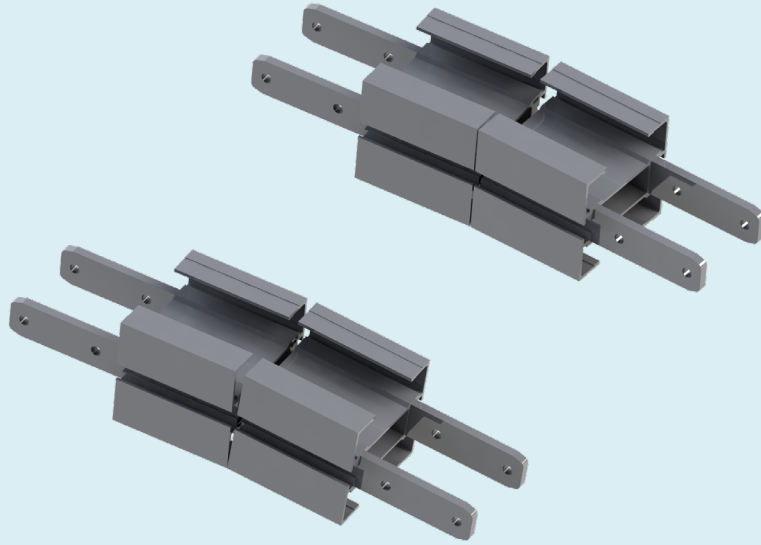
Aluminium, anodized
Length 3m



FS	H=16.0mm
FL/F65	H=15.9mm
FM/F85/FH	H=10.5mm
FK	H=0.5mm



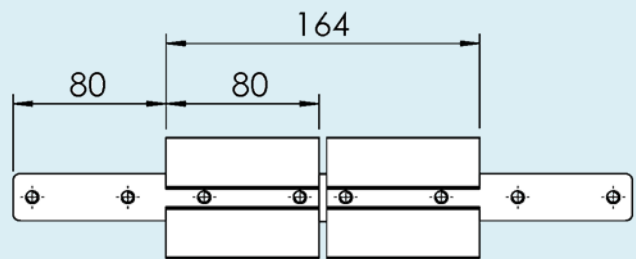
Articulated beam section



FMCH 5V Articulated beam section, vertical

FMCH 5H Articulated beam section, horizontal

Slide rail: see "Conveyor beam" .



F45

FT

FS

FL

FLP

F65

FM

FMP

F85

F85P

FH

FK

FKP

FB140

FB175

FB295

SPIRAL

FW

FLX

FMX

FHX

FBX175

FBX295

ACC

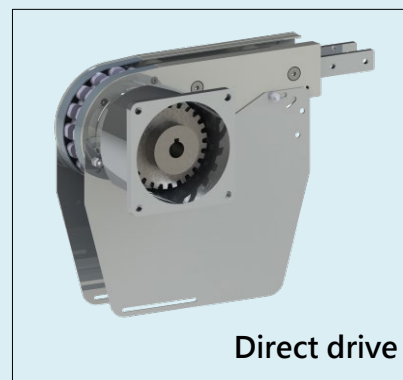
CA

FC

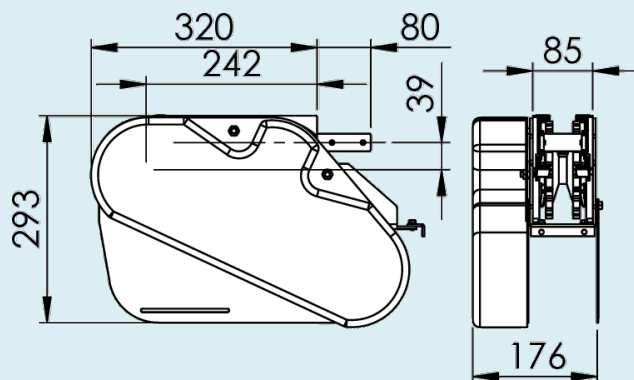
TOOL

IDX

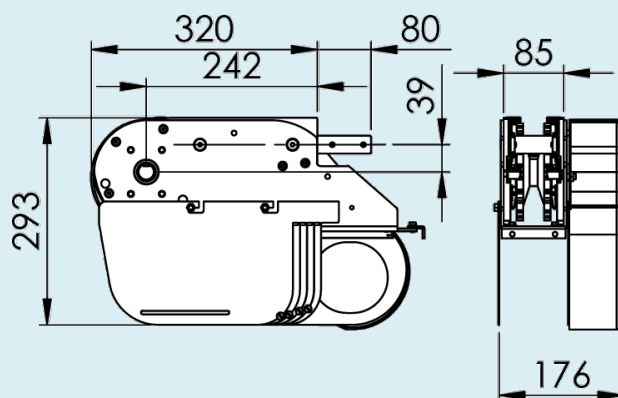
End drive units



FMEB 0HLA Drive unit
Transmission on
left-hand side

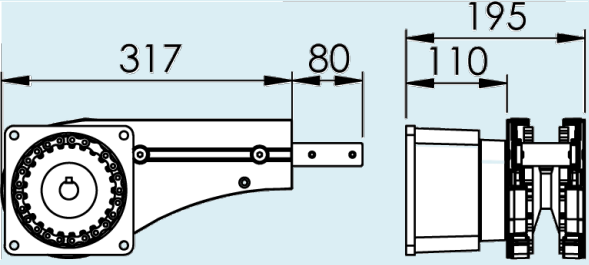
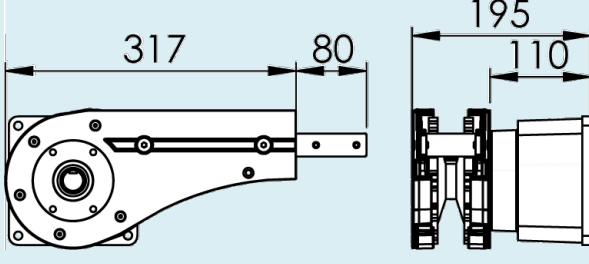
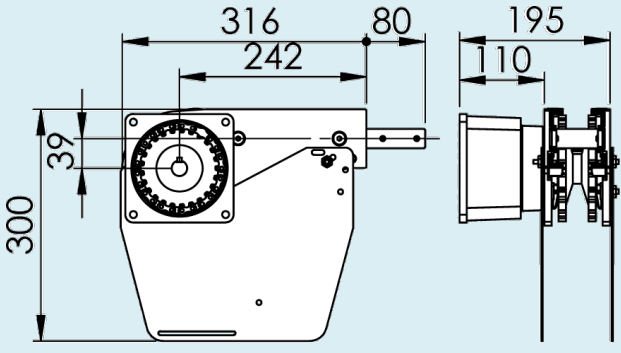
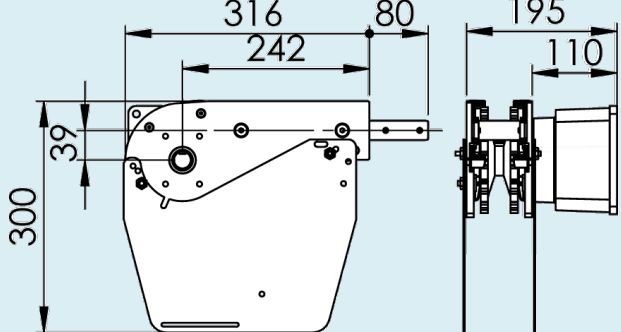


FMEB 0HRA Drive unit
Transmission on
right-hand side

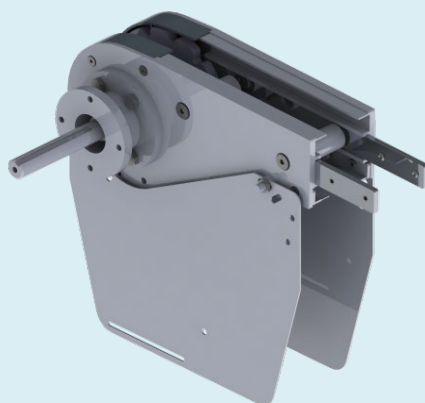


Maximum weight on conveyor : 200 kg
Maximum conveyor length : 30 M
Maximum conveyor speed : 60 M/min

End drive units

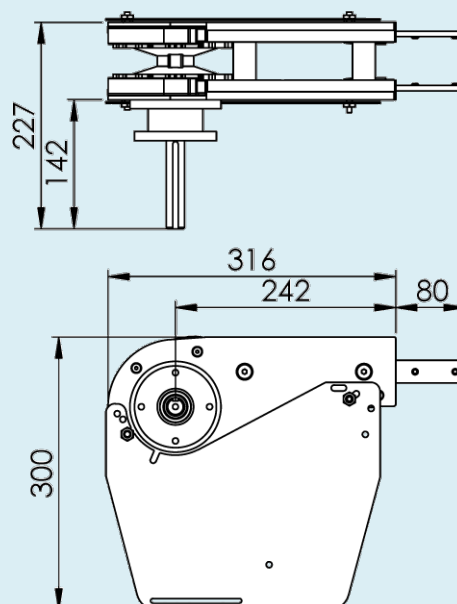
<p>FMEB 0HLGP Drive unit Direct drive without slack, left-hand side</p>		<p>F45 FT FS FL FLP F65 FM FMP</p>
<p>FMEB 0HRGP Drive unit Direct drive without slack, right-hand side</p>		<p>F85 F85P FH FK FKP FB140 FB175 FB295 SPIRAL</p>
<p>FMEB 0HLP Drive unit Direct drive, left-hand side</p>		<p>FW FLX FMX FHX FBX175 FBX295 ACC CA</p>
<p>FMEB 0HRP Drive unit Direct drive, right-hand side</p> <p>Maximum weight on conveyor : 200 kg Maximum conveyor length : 30 M Maximum conveyor speed : 60 M/min</p>		<p>FC TOOL IDX</p>

End drive units



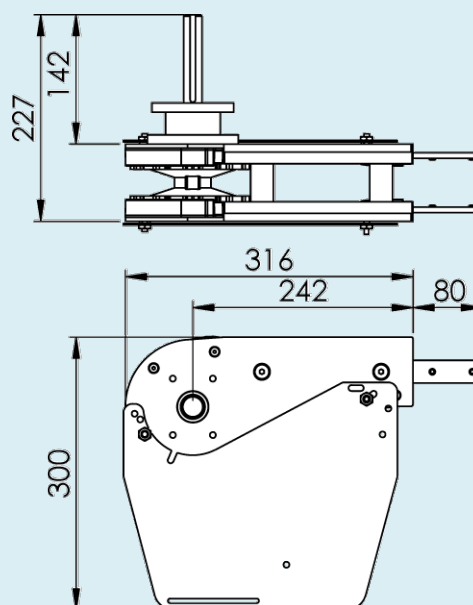
FMEB 0HNLP
Dia. 25mm to 20mm

Drive unit
Direct drive
left-hand side
SEW SA37
SEW WA 30
SEW WA 20



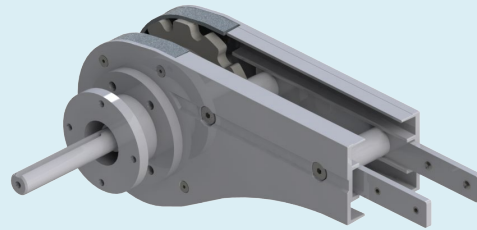
FMEB 0HNRP
Dia. 25mm to 20mm

Drive unit
Direct drive
right-hand side
SEW SA37
SEW WA 30
SEW WA 20



Maximum weight on conveyor : 200 kg
Maximum conveyor length : 30 M
Maximum conveyor speed : 60 M/min

End drive units



F45

FT

FS

FL

FLP

F65

FM

FMP

F85

F85P

FH

FK

FKP

FB140

FB175

FB295

SPIRAL

FW

FLX

FMX

FHX

FBX175

FBX295

ACC

CA

FC

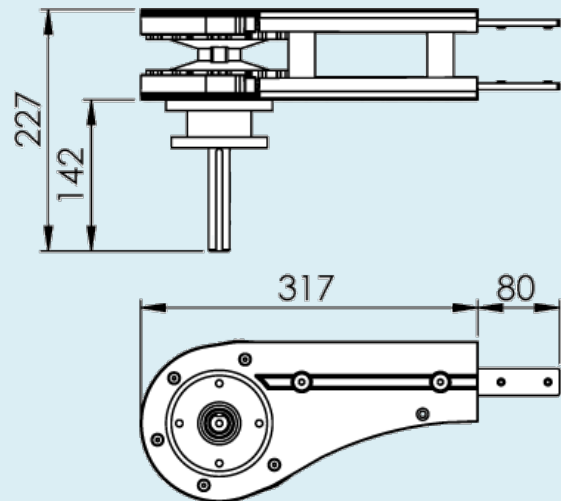
TOOL

IDX

FMEB 0HNLGP

Dia. 25mm to 20mm

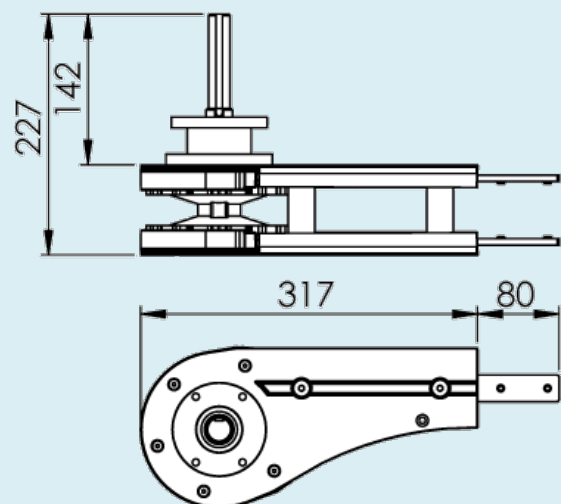
Drive unit
Direct drive
left-hand side
SEW SA37
SEW WA 30
SEW WA 20



FMEB 0HNRGP

Dia. 25mm to 20mm

Drive unit
Direct drive
right-hand side
SEW SA37
SEW WA 30
SEW WA 20

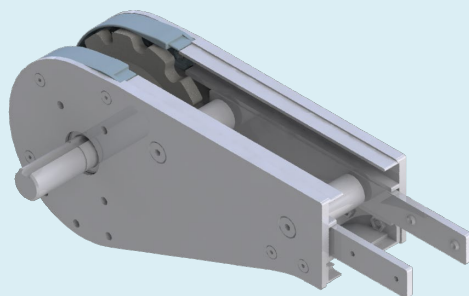


Maximum weight on conveyor : 200 kg

Maximum conveyor length : 30 M

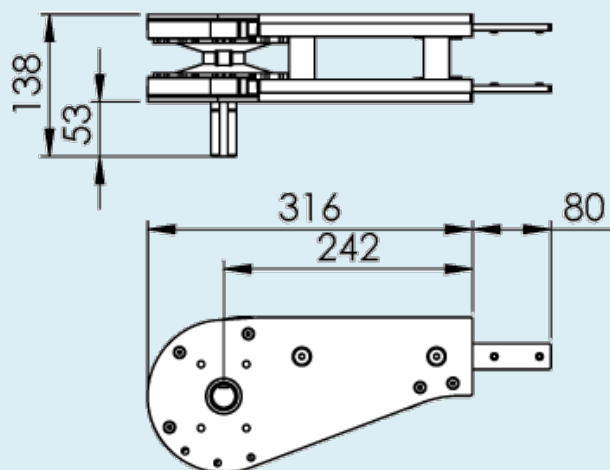
Maximum conveyor speed : 60 M/min

End drive units



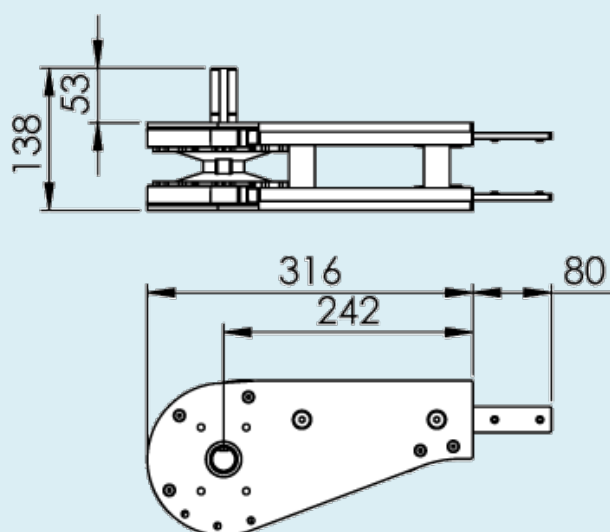
FMEB 0HLUA
Dia. 25mm

Basic unit
left-hand side



FMEB 0HRUA
Dia. 25mm

Basic unit
right-hand side



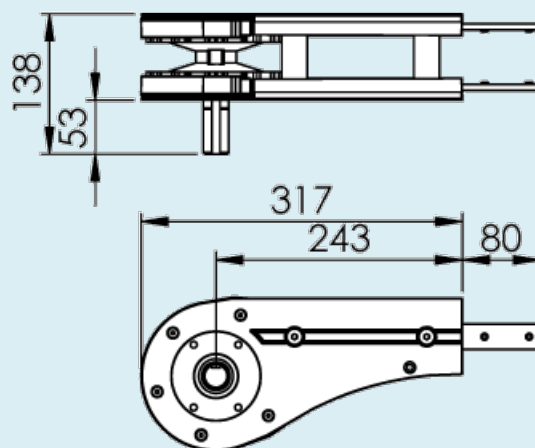
Maximum weight on conveyor : 200 kg
Maximum conveyor length : 30 M
Maximum conveyor speed : 60 M/min

End drive units



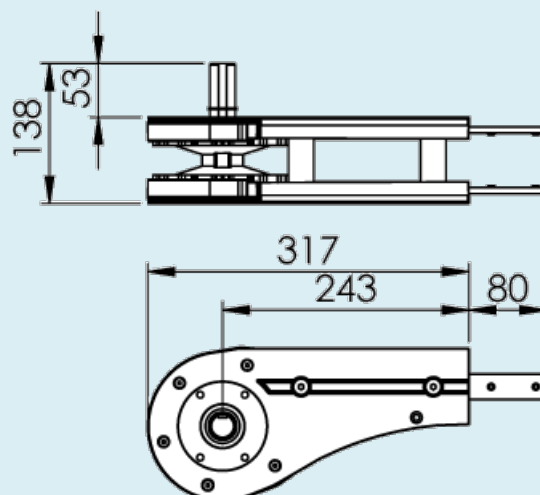
FMEB 0HLGUA
Dia. 25mm

Basic unit
left-hand side



FMEB 0HRGUA
Dia. 25mm

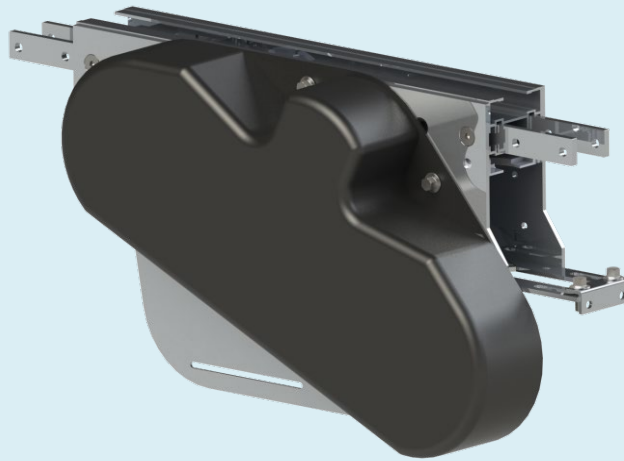
Basic unit
right-hand side



Maximum weight on conveyor : 200 kg
Maximum conveyor length : 30 M
Maximum conveyor speed : 60 M/min

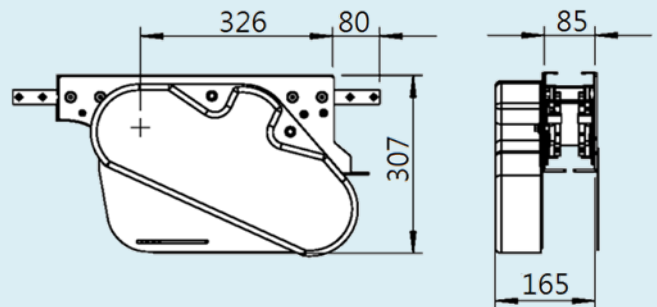
- F45
- FT
- FS
- FL
- FLP
- F65
- FM**
- FMP
- F85
- F85P
- FH
- FK
- FKP
- FB140
- FB175
- FB295
- SPIRAL
- FW
- FLX
- FMX
- FHX
- FBX175
- FBX295
- ACC
- CA
- FC
- TOOL
- IDX

Intermediate drive units



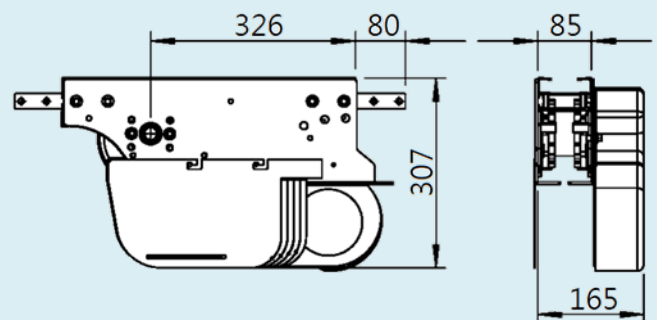
FMER 0HL

Drive unit
Transmission on
left-hand side



FMER 0HR

Drive unit
Transmission on
right-hand side

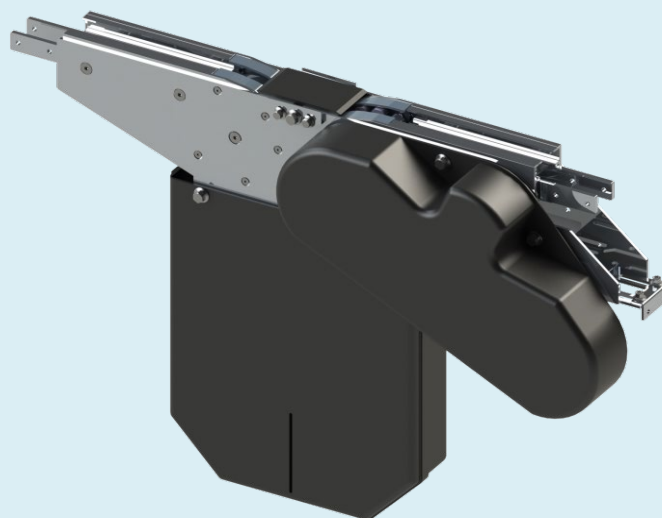


Maximum weight on conveyor : 200 kg

Maximum conveyor length : 30 M

Maximum conveyor speed : 60 M/min

Catenary drive units



F45

FT

FS

FL

FLP

F65

FM

FMP

F85

F85P

FH

FK

FKP

FB140

FB175

FB295

SPIRAL

FW

FLX

FMX

FHX

FBX175

FBX295

ACC

CA

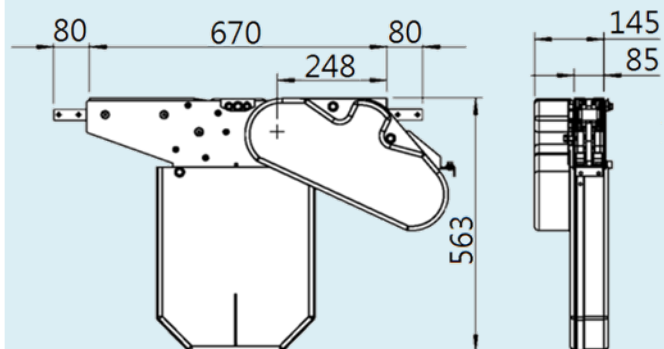
FC

TOOL

IDX

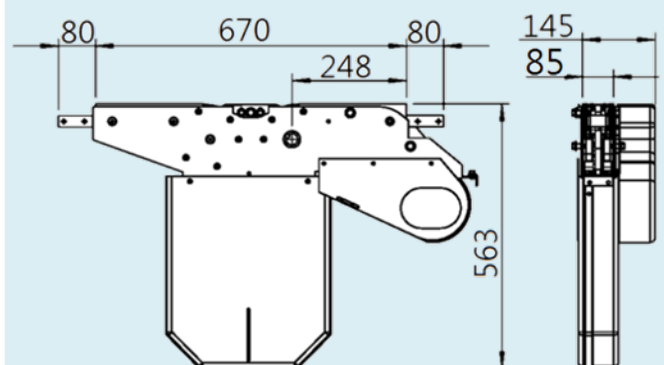
FMEC OHL

Drive unit
Transmission on
left-hand side



FMEC OHR

Drive unit
Transmission on
right-hand side

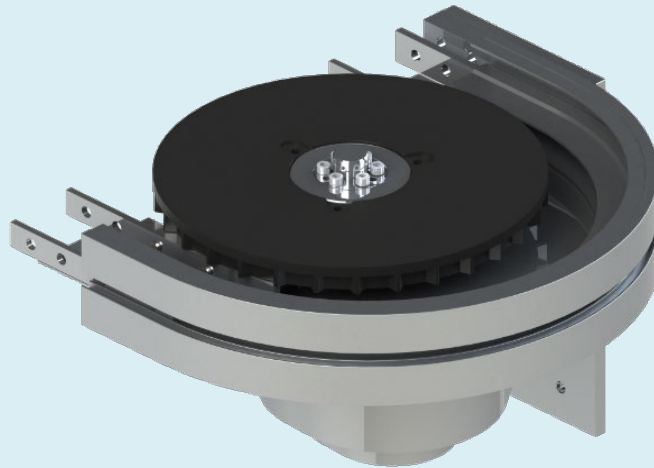


Maximum weight on conveyor : 200 kg

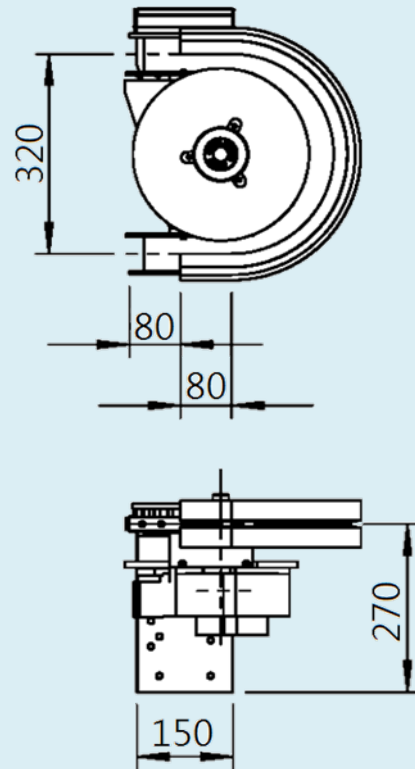
Maximum conveyor length : 30 M

Maximum conveyor speed : 60 M/min

Horizontal bend drive unit

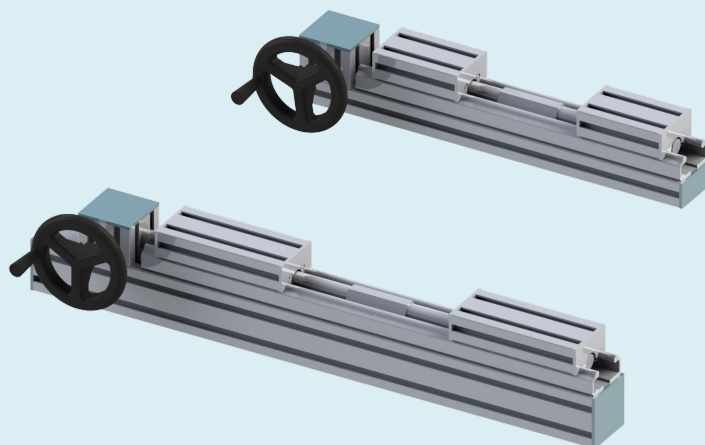


FMEW 180/0H Horizontal bend drive unit, 180°



Maximum weight on conveyor : 200 kg
Maximum conveyor length : 30 M
Maximum conveyor speed : 60 M/min

Components for track width adjustment



F45

FT

FS

FL

FLP

F65

FM

FMP

F85

F85P

FH

FK

FKP

FB140

FB175

FB295

SPIRAL

FW

FLX

FMX

FHX

FBX175

FBX295

ACC

CA

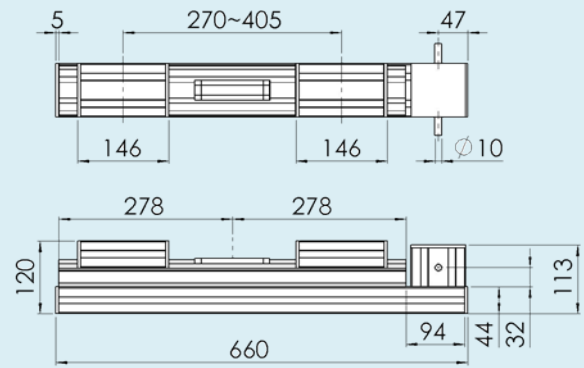
FC

TOOL

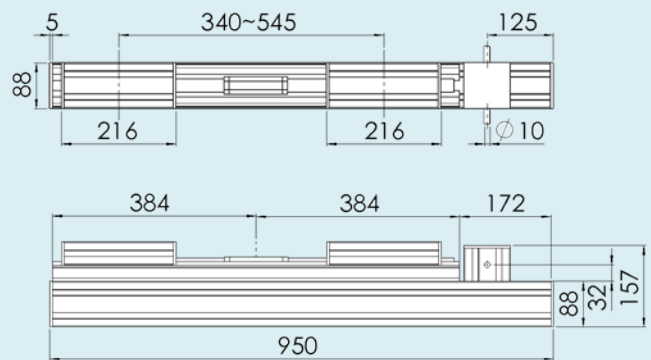
IDX

Width adjustment actuator

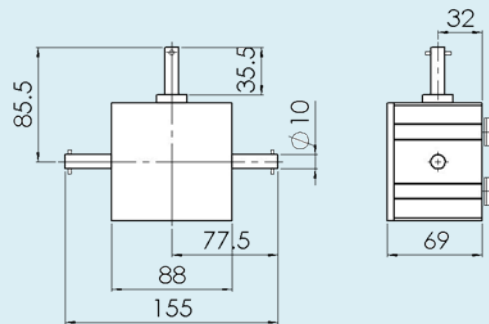
FCLA 660A Width adjustment actuator
Length 660 mm
Including light beam and angle gear unit



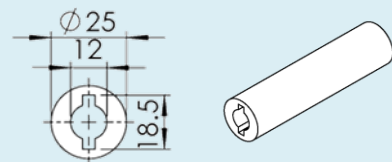
FCLA 950A Width adjustment actuator
Length 950 mm
Including light beam and angle gear unit



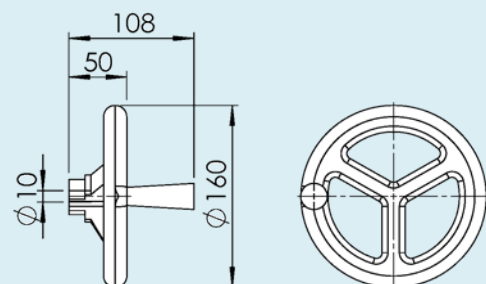
FCFW 90L Angle gear unit



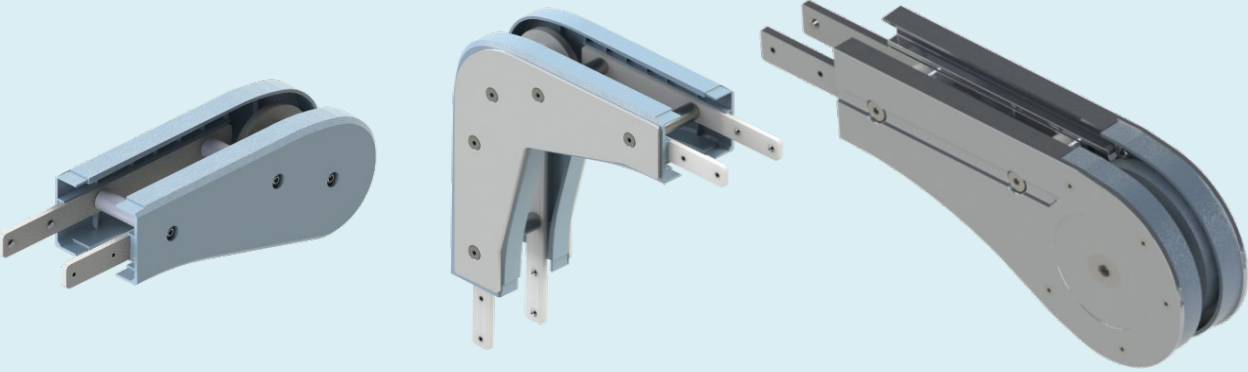
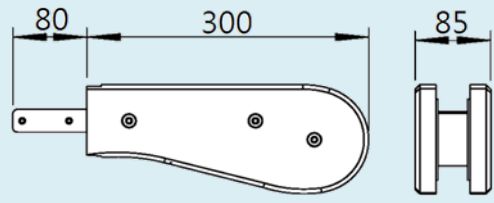
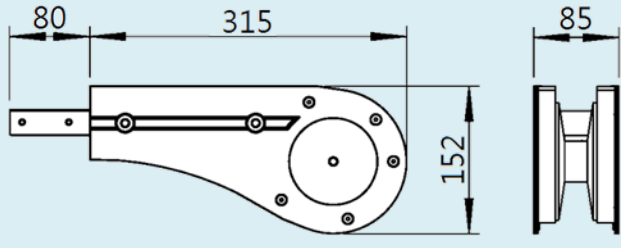
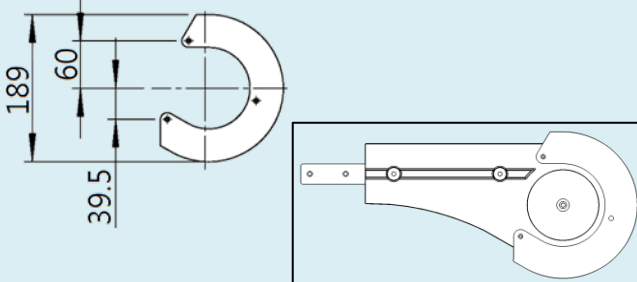
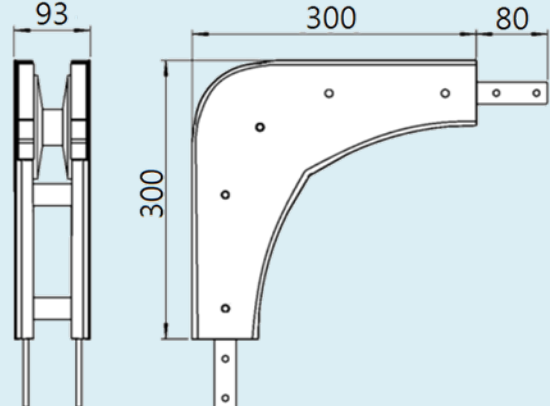
FLFX 3 Shaft
Length 3 m



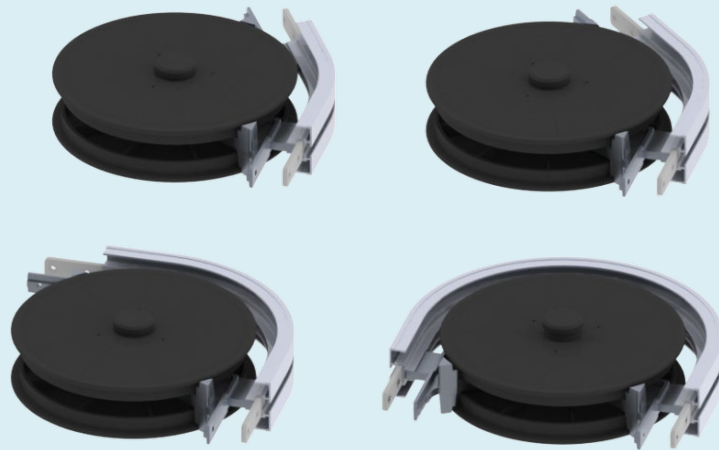
FLAW 160X10 Handwheel for 10 mm shaft, diameter 160 mm



Idler end units

		F45
		FT
		FS
		FL
		FLP
		F65
		FM
		FMP
		F85
		F85P
FH		
FK		
FKP		
FB140		
FB175		
FB295		
SPIRAL		
FW		
FLX		
FMX		
FHX		
FBX175		
FBX295		
ACC		
CA		
FC		
TOOL		
IDX		
FMEJ 300	Idler end unit	
FMEJ 315	Idler end unit	
FMSJ 189	Protective cover for idler end nit	
FMEK 90R50	Idler bend unit, 90 ° Cannot be used with a return chain	

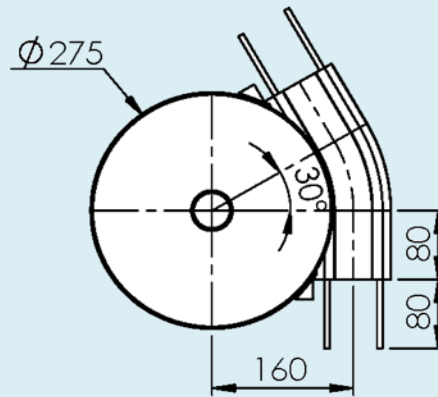
Horizontal wheel bends



Horizontal wheel bends

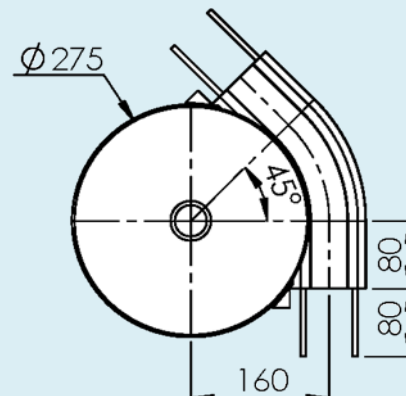
Horizontal wheel bend, 30°

FMBH 30R160 Radius to centre of chain 160 mm
FMBH 30R160A with protective cover



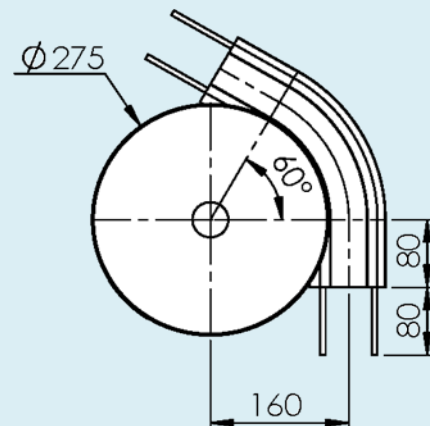
Horizontal wheel bend, 45°

FMBH 45R160 Radius to centre of chain 160 mm
FMBH 45R160A with protective cover



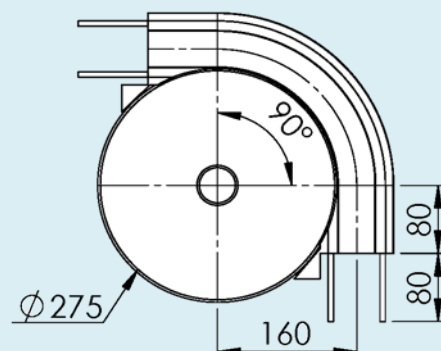
Horizontal wheel bend, 60°

FMBH 60R160 Radius to centre of chain 160 mm
FMBH 60R160A with protective cover



Horizontal wheel bend, 90°

FMBH 90R160A Radius to centre of chain 160 mm



F45

FT

FS

FL

FLP

F65

FM

FMP

F85

F85P

FH

FK

FKP

FB140

FB175

FB295

SPIRAL

FW

FLX

FMX

FHX

FBX175

FBX295

ACC

CA

FC

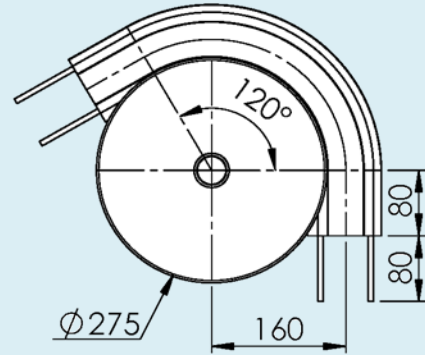
TOOL

IDX

Horizontal wheel bends

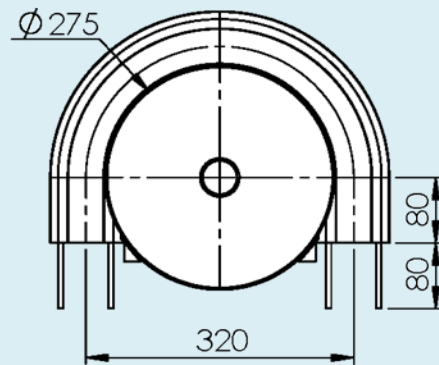
Horizontal wheel bend, 120°

FMBH 120R160 Radius to centre of chain 160 mm
FMBH 120R160A with protective cover



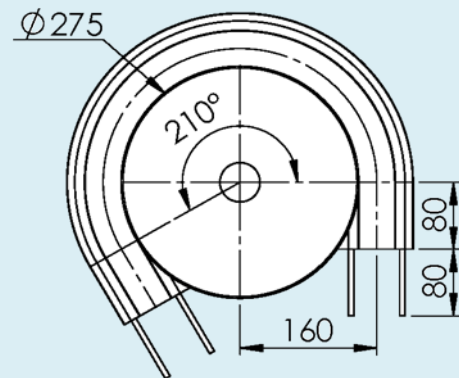
Horizontal wheel bend, 180°

FMBH 180R160A Radius to centre of chain 160 mm



Horizontal wheel bend, 210°

FMBH 210R160 Radius to centre of chain 160 mm
FMBH 210R160A with protective cover

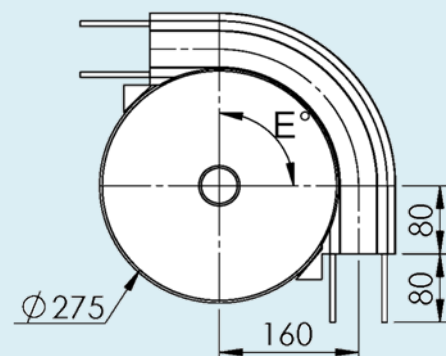


Horizontal wheel bend, 5°~180° , 210°

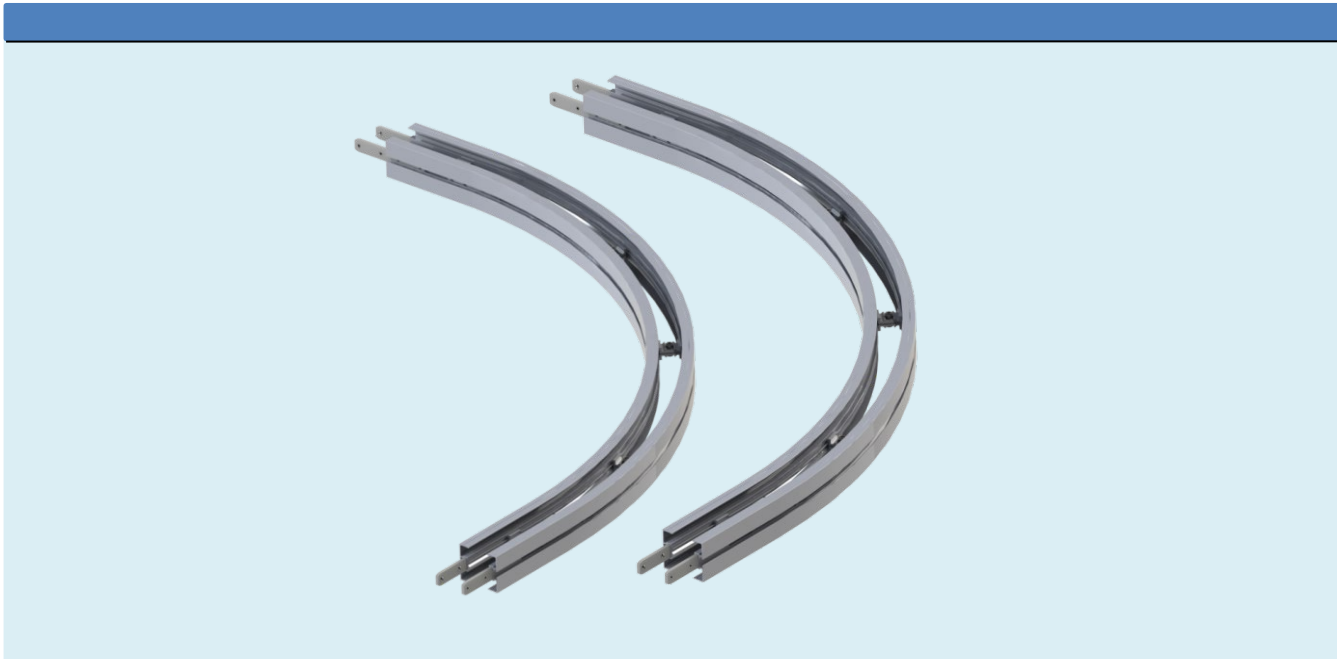
FMBH ER160 R=160mm
FMBH ER160A with protective cover

The out bend is cut in the middle to the desired angle and assembled using connection strips.

The angle "E" must be specified when ordering.



Horizontal plain bends

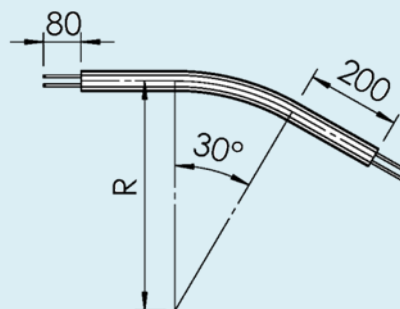


F45
FT
FS
FL
FLP
F65
FM
FMP
F85
F85P
FH
FK
FKP
FB140
FB175
FB295
SPIRAL
FW
FLX
FMX
FHX
FBX175
FBX295
ACC
CA
FC
TOOL
IDX

Horizontal plain bends

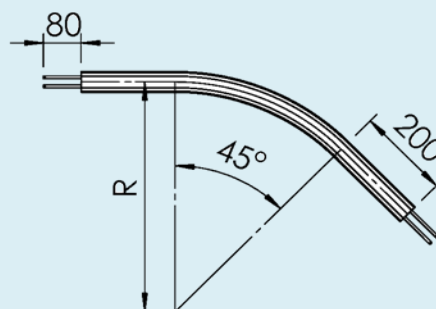
Horizontal plain bend, 30°
Radius to centre of beam:

FMBP 30R500 R=500 mm
FMBP 30R700 R=700 mm
FMBP 30R1000 R=1000mm



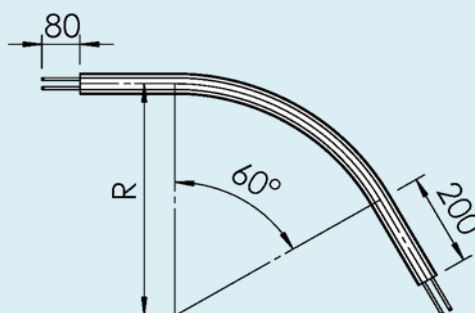
Horizontal plain bend, 45°
Radius to centre of beam:

FMBP 45R500 R=500 mm
FMBP 45R700 R=700 mm
FMBP 45R1000 R=1000mm



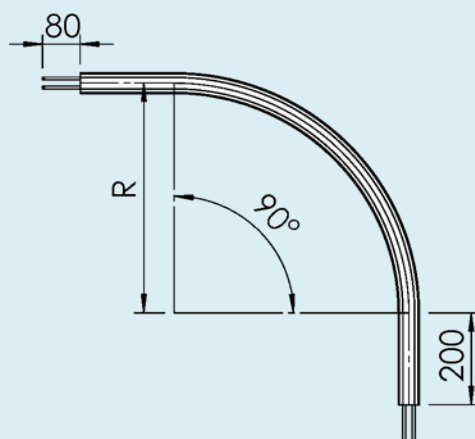
Horizontal plain bend, 60°
Radius to centre of beam:

FMBP 60R500 R=500 mm
FMBP 60R700 R=700 mm
FMBP 60R1000 R=1000mm



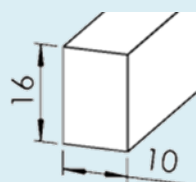
Horizontal plain bend, 90°
Radius to centre of beam:

FMBP 90R500 R=500 mm
FMBP 90R700 R=700 mm
FMBP 90R1000 R=1000mm



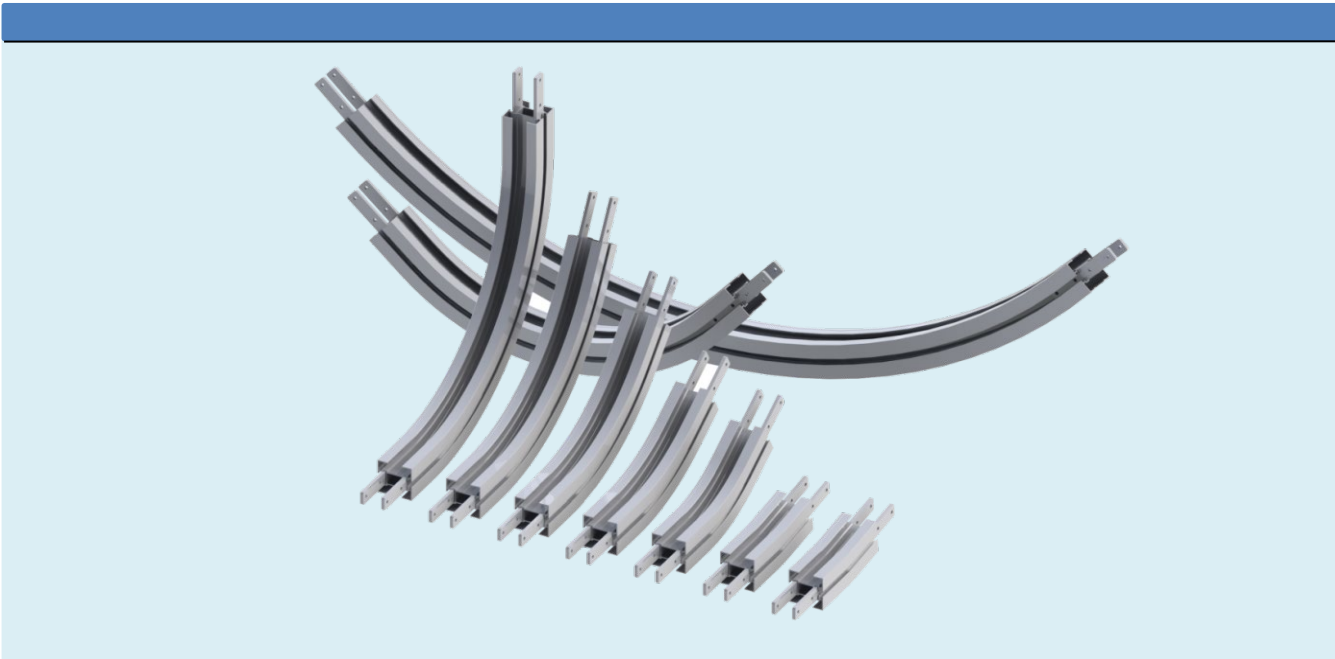
Support rail for plain bends

F5048598 Length 2 mt



* Note: Special angles on request.

Vertical bends



F45

FT

FS

FL

FLP

F65

FM

FMP

F85

F85P

FH

FK

FKP

FB140

FB175

FB295

SPIRAL

FW

FLX

FMX

FHX

FBX175

FBX295

ACC

CA

FC

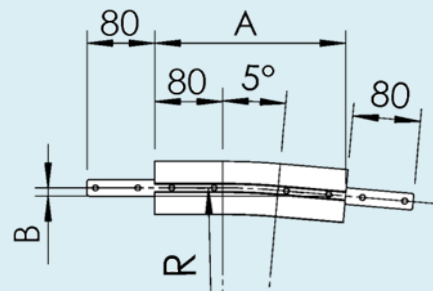
TOOL

IDX

Vertical bends

Vertical bend, 5°
Radius to centre of beam:

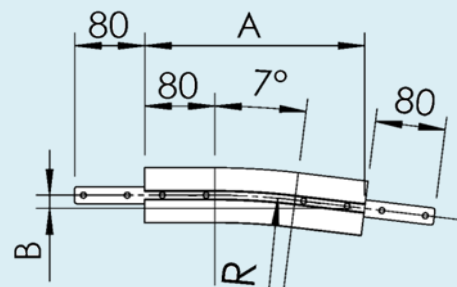
FMBV 5R400 R=400 mm



	R	A	B
FMBV 5R400	400	195	9

Vertical bend, 7°
Radius to centre of beam:

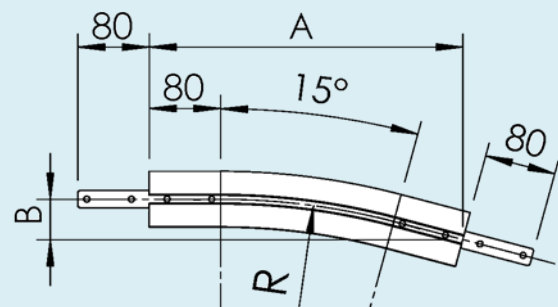
FMBV 7R400 R=400 mm



	R	A	B
FMBV 7R400	400	208	13

Vertical bend, 15°
Radius to centre of beam:

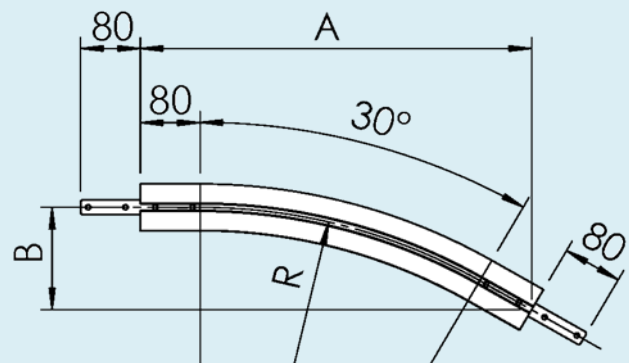
FMBV 15R400 R=400 mm
FMBV 15R700 R=700 mm



	R	A	B
FMBV 15R400	400	261	34
FMBV 15R700	700	338	45

Vertical bend, 30°
Radius to centre of beam:

FMBV 30R400 R=400 mm
FMBV 30R700 R=700 mm



	R	A	B
FMBV 30R400	400	349	94
FMBV 30R700	700	449	134

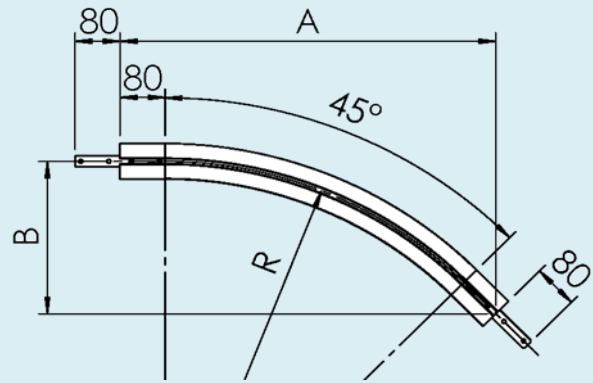
* Note: Special angles on request.

Vertical bends

Vertical bend, 45°
Radius to centre of beam:

FMBV 45R400 R=400 mm
FMBV 45R1000 R=1000 mm

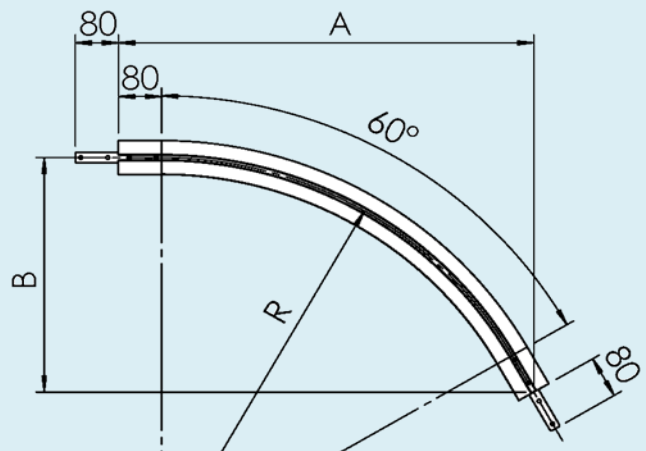
	R	A	B
FMBV 45R400	400	419	174
FMBV 45R1000	1000	844	350



Vertical bend, 60°
Radius to centre of beam:

FMBV 60R400 R=400 mm
FMBV 60R1000 R=1000 mm

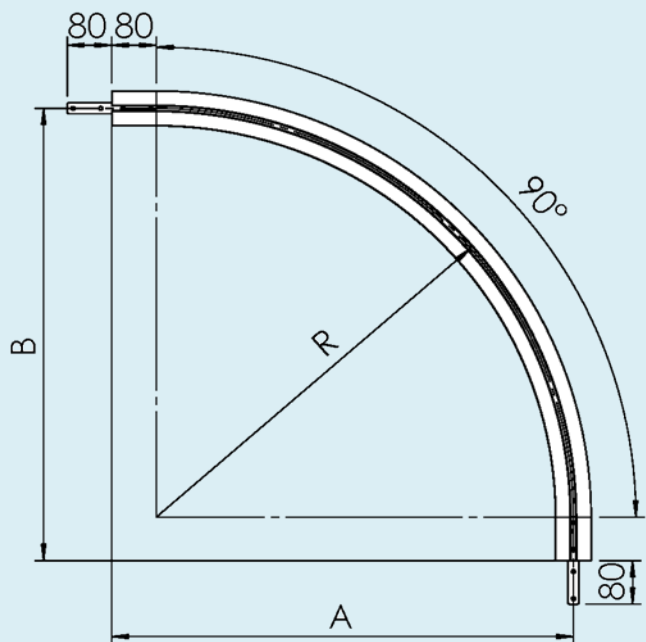
	R	A	B
FMBV 60R400	400	466	269
FMBV 60R1000	1000	986	569



Vertical bend, 90°
Radius to centre of beam:

FMBV 90R400 R=400 mm
FMBV 90R1000 R=1000 mm

	R	A	B
FMBV 90R400	400	480	480
FMBV 90R1000	1000	1080	1080



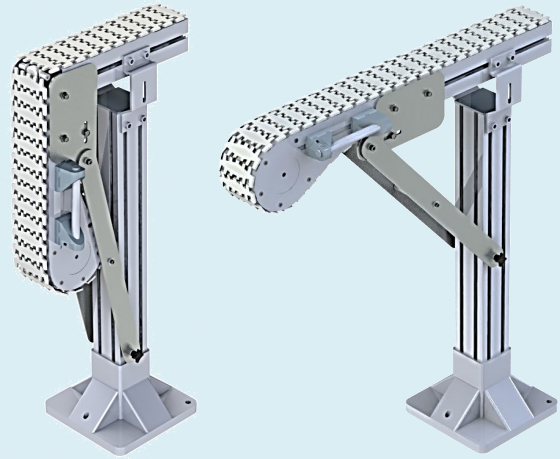
- F45
- FT
- FS
- FL
- FLP
- F65
- FM**
- FMP
- F85
- F85P
- FH
- FK
- FKP
- FB140
- FB175
- FB295
- SPIRAL
- FW
- FLX
- FMX
- FHX
- FBX175
- FBX295
- ACC
- CA
- FC
- TOOL
- IDX

* Note: Special angles on request.

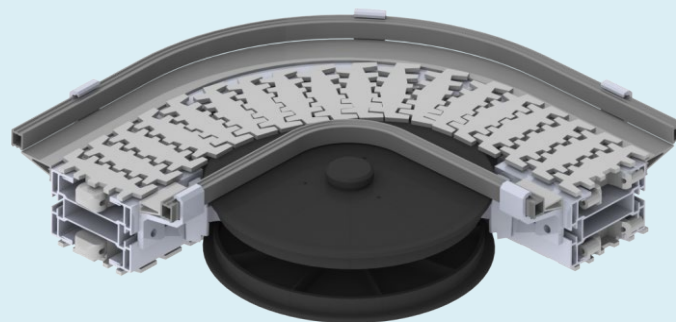
Vertical bends

Folding idler end units

90° folding for FL, FM, FH



Angle plates



F45

FT

FS

FL

FLP

F65

FM

FMP

F85

F85P

FH

FK

FKP

FB140

FB175

FB295

SPIRAL

FW

FLX

FMX

FHX

FBX175

FBX295

ACC

CA

FC

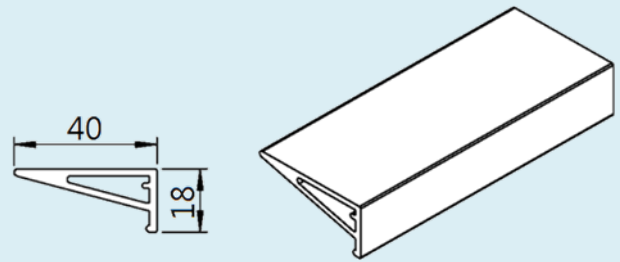
TOOL

IDX

Angle plates

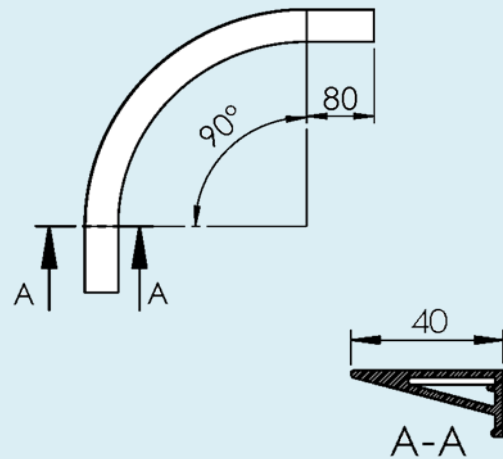
Angle plate

FHRP 3 Length 3 m



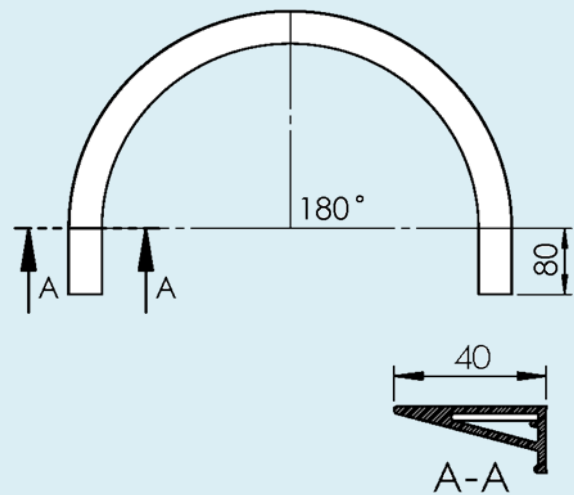
Angle plate

FMRM 90 Angle plate for 90° bend
Used with FMBH 90R160
Inner radius 202.5 mm

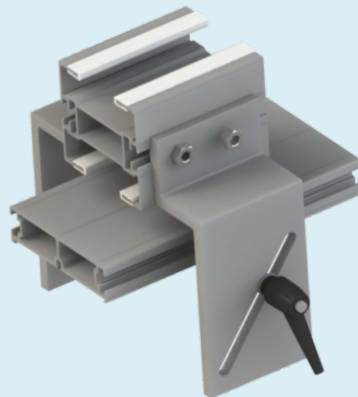


Angle plate

FMRM 180 Angle plate for 180° bend
Used with FMBH 180R160
and FMEW 180/ H
Inner radius 202.5 mm



Front piece



F45

FT

FS

FL

FLP

F65

FM

FMP

F85

F85P

FH

FK

FKP

FB140

FB175

FB295

SPIRAL

FW

FLX

FMX

FHX

FBX175

FBX295

ACC

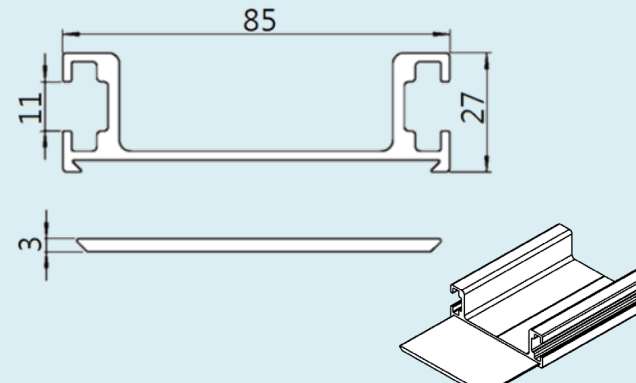
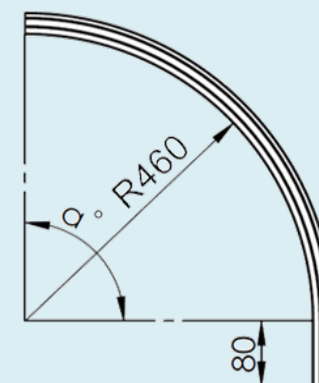
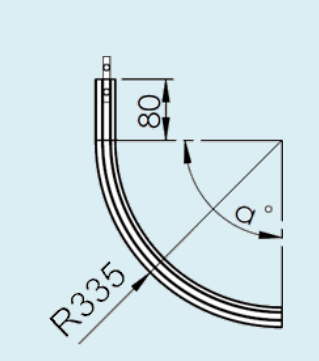
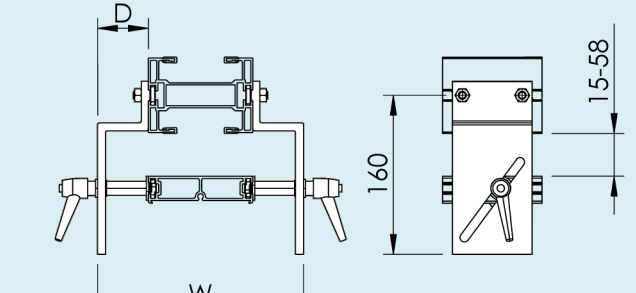
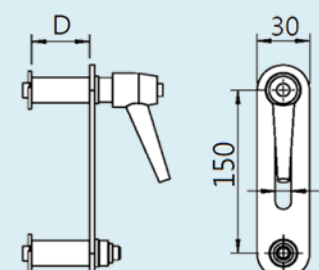
CA

FC

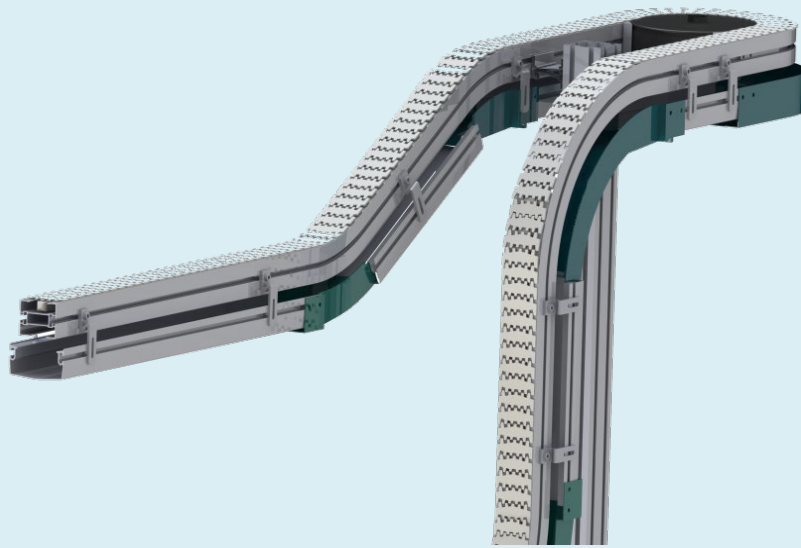
TOOL

IDX

Front piece

<p>FMVF 3</p> <p>Length 3 m</p>		
<p>FMVG 2</p> <p>Sliding strip for front piece, Length 2 m</p>		
<p>FMVA 45R460</p> <p>Upper bend, $\alpha=45^\circ$</p> <p>FMVA 60R460</p> <p>Upper bend, $\alpha=60^\circ$</p> <p>FMVA 90R460</p> <p>Upper bend, $\alpha=90^\circ$</p> <p>Radius 460 mm, includes connecting strip with screws</p>		
<p>FMVB 45R335</p> <p>Lower bend, $\alpha=45^\circ$</p> <p>FMVB 60R335</p> <p>Lower bend, $\alpha=60^\circ$</p> <p>FMVB 90R335</p> <p>Lower bend, $\alpha=90^\circ$</p> <p>Radius 335 mm, includes connecting strip with screws</p>		
<p>FHVK 43</p> <p>Linkage kit for front piece</p> <p>W=170 mm</p> <p>D= 43 mm</p> <p>Kit consists of two support pairs.</p>		
<p>FHVS 43</p> <p>Bend support</p> <p>D= 43 mm</p> <p>FHVS 93</p> <p>Bend support</p> <p>D= 93 mm</p>		

Drip trays and drip catchers



F45

FT

FS

FL

FLP

F65

FM

FMP

F85

F85P

FH

FK

FKP

FB140

FB175

FB295

SPIRAL

FW

FLX

FMX

FHX

FBX175

FBX295

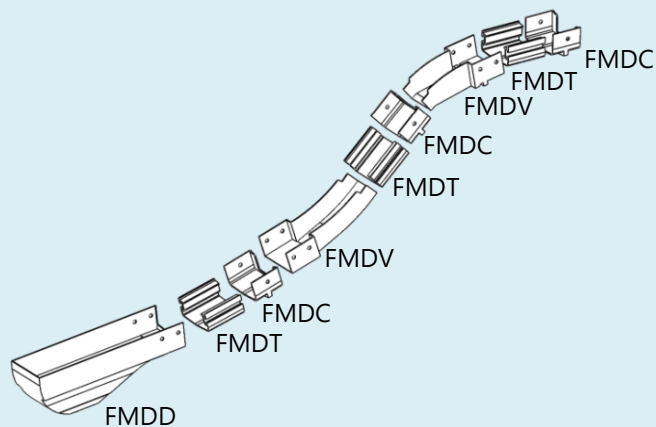
ACC

CA

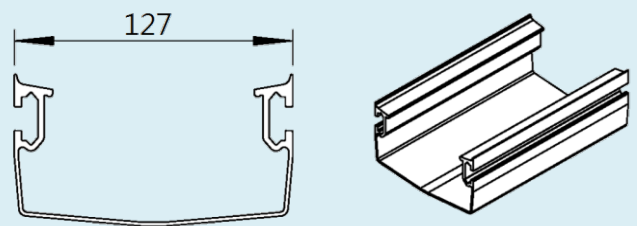
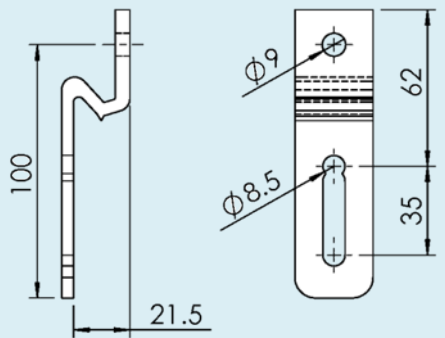
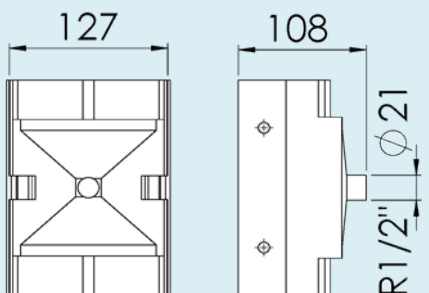
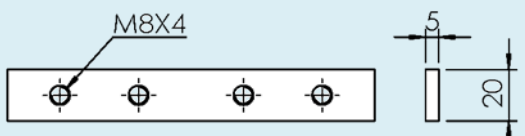
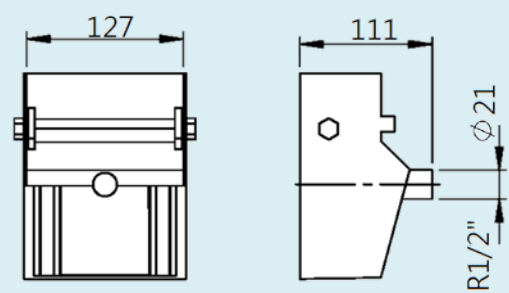
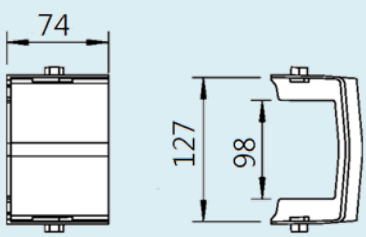
FC

TOOL

IDX



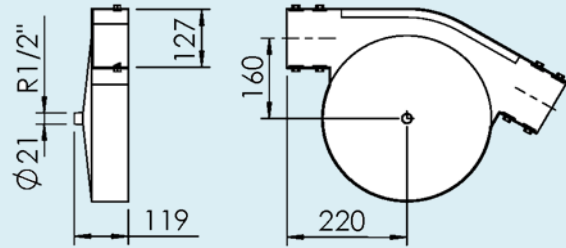
Drip trays

<p>FMDT 3X127B Drip tray Length 3 m</p>	
<p>FLDB 21X100 Drip tray bracket</p>	
<p>FMDJ 127B Drip tray connector With drip outlet Including screw kit</p>	
<p>FLCJ 5X140 Connecting strip with set screws Length 140 mm</p>	
<p>FMDE 127B End pan for drip tray With drip outlet Including screw kit</p>	
<p>FMDC 127B End cap for drip tray Including screw kit</p>	

Drip pans

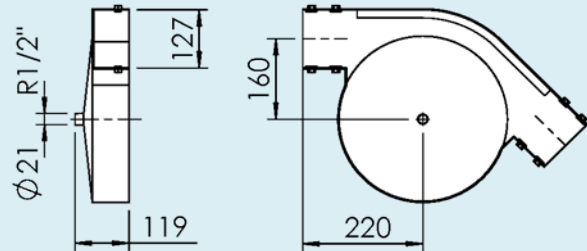
FMDH 30X127B

Drip pan for horizontal wheel bend 30°
Including screw kit



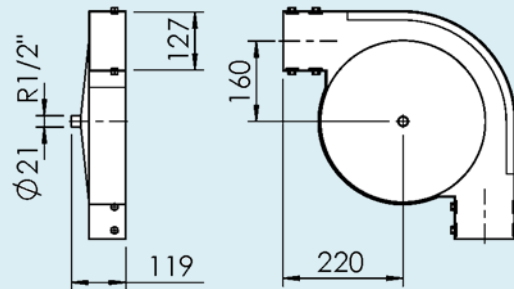
FMDH 45X127B

Drip pan for horizontal wheel bend 45°
Including screw kit



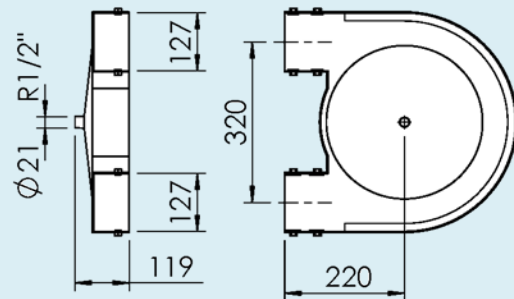
FMDH 90X127B

Drip pan for horizontal wheel bend 90°
Including screw kit



FMDH 180X127B

Drip pan for horizontal wheel bend 180°
Including screw kit



F45

FT

FS

FL

FLP

F65

FM

FMP

F85

F85P

FH

FK

FKP

FB140

FB175

FB295

SPIRAL

FW

FLX

FMX

FHX

FBX175

FBX295

ACC

CA

FC

TOOL

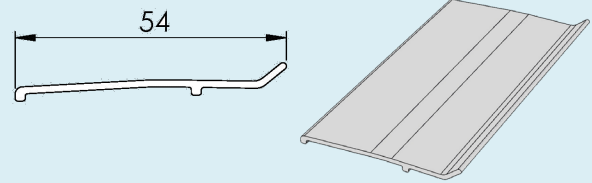
IDX

Drip catchers

Drip catcher

FHDS 3X53

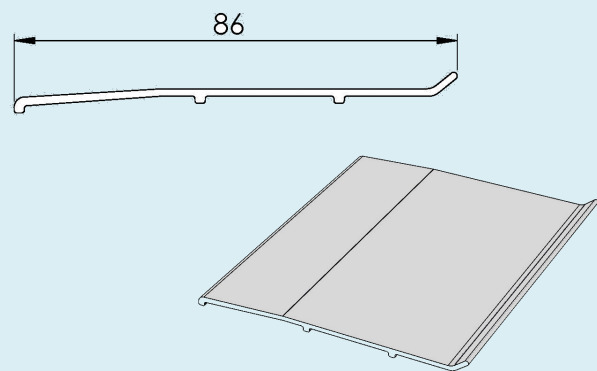
Width 54 mm
Length 3 m



Drip catcher

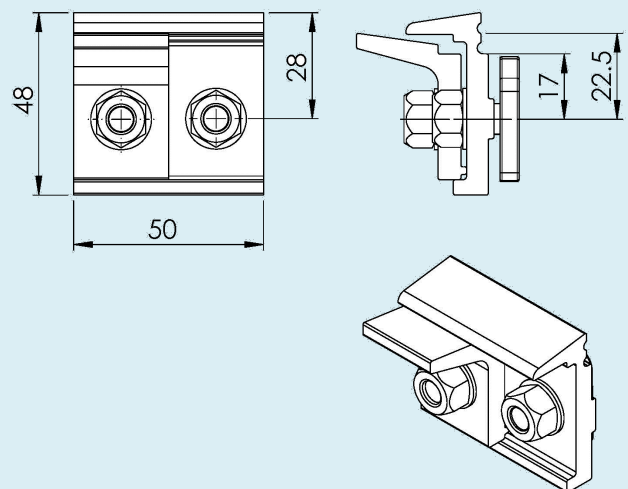
FHDS 3X83

Width 86 mm
Length 3 m



Drip catcher bracket assembly
Including T-bolts and nuts

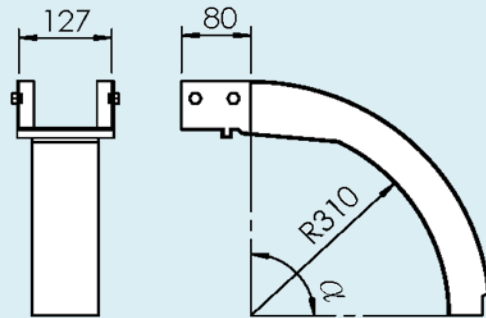
FHDR 23



Drip pans

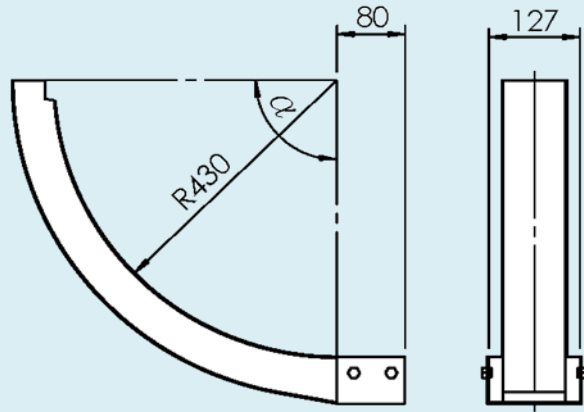
Drip pan, upper,
for vertical bend
Including screw kit

FMDV 30X127BU $\alpha=30^\circ$
FMDV 45X127BU $\alpha=45^\circ$
FMDV 60X127BU $\alpha=60^\circ$
FMDV 90X127BU $\alpha=90^\circ$



Drip pan, lower,
for vertical bend
Including screw kit

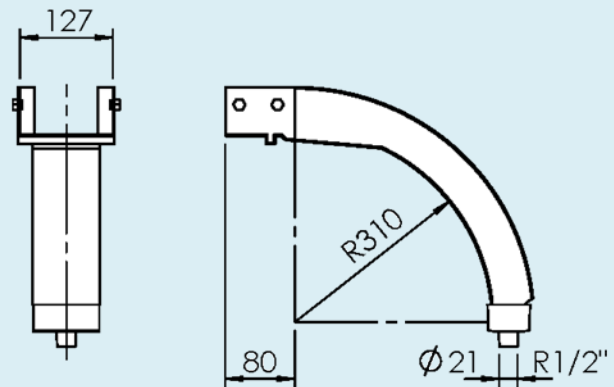
FMDV 30X127BL $\alpha=30^\circ$
FMDV 45X127BL $\alpha=45^\circ$
FMDV 60X127BL $\alpha=60^\circ$
FMDV 90X127BL $\alpha=90^\circ$



FMDV 90X127B

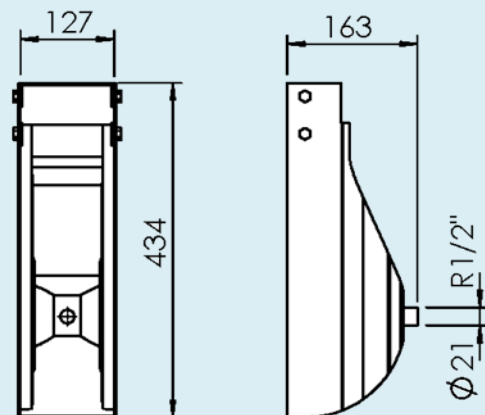
Drip pan, upper,
for 90° vertical bend
With drip outlet
Including screw kit

End pan for idler end unit



FMDD 127B

End pan for idler end
unit with drip outlet
Including screw kit



F45

FT

FS

FL

FLP

F65

FM

FMP

F85

F85P

FH

FK

FKP

FB140

FB175

FB295

SPIRAL

FW

FLX

FMX

FHX

FBX175

FBX295

ACC

CA

FC

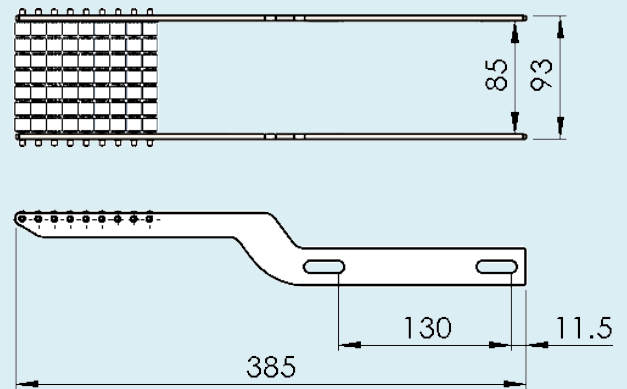
TOOL

IDX

Bridge for FM conveyor

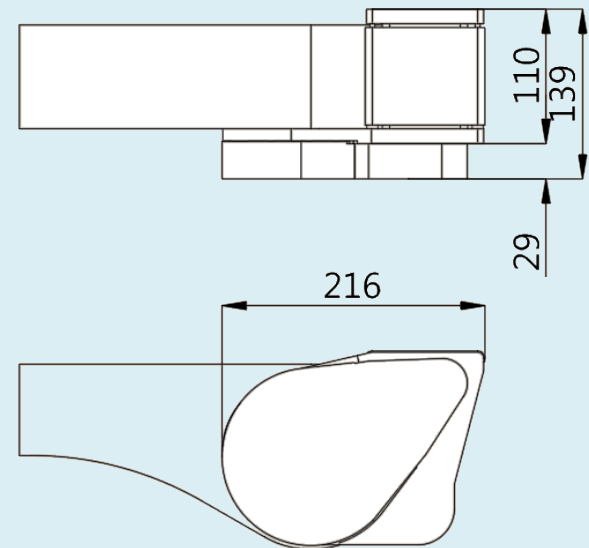
roller bridge

Bridge-FM



Belt bridge

FMEF DBL



FMEF DBR

